

Features

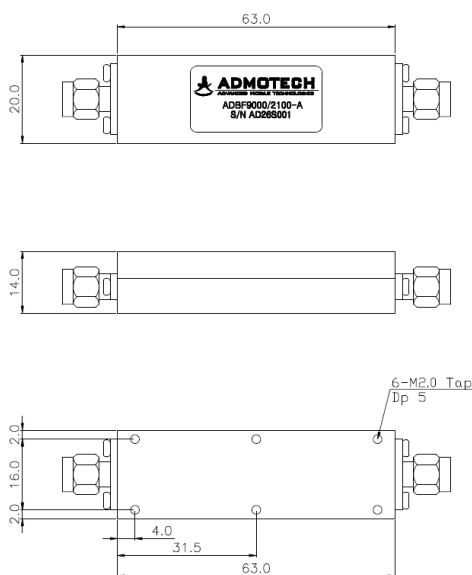
- Cavity Band Pass Filter (7.95 GHz ~ 10.05 GHz)
- Very compact size and low weight
- Typical 0.4 dB Insertion Loss



Specifications

Parameter	Specifications	Remarks
Frequency Range	7,950 ~ 10,050 MHz	BW : 2,100 MHz
Center Frequency	9,000 MHz	
Insertion Loss (Max.)	1.0 dB	
Pass Band Ripple (Max.)	0.5 dB	
Return Loss (Min.)	18.0 dB	
Rejection (Min.)	25 dBc @ 7.5 GHz	
	25 dBc @ 10.7 GHz	
In/ Out Impedance	50 Ω	
Handling Power (Max.)	CW 10 W	
Operating Temperature	-40 °C ~ +85 °C	
Dimensions	63 * 20 * 14 mm	Excluding Connectors
Connector	SMA (Male)	

Outline drawing



Typical Response

