

## Features

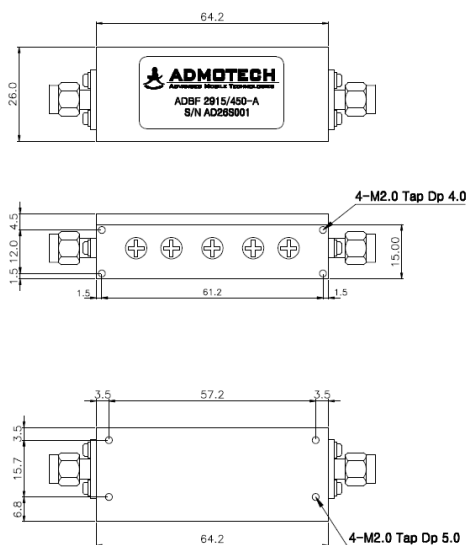
- Cavity Band pass Filter (2,690 MHz ~ 3,140 MHz)
- Very compact size and low weight
- Typical 0.3 dB Insertion Loss



## Specifications

Parameter	Specifications	Remarks
Frequency Range	2,690 ~ 3,140 MHz	BW : 450 MHz
Center Frequency	2,915 MHz	
Insertion Loss (Max.)	1.0 dB	
Pass Band Ripple (Max.)	0.5 dB	
Return Loss (Min.)	18.0 dB	
Rejection (Min.)	25 dBc @ 2,342 MHz	
	25 dBc @ 3,440 MHz	
	40 dBc @ 3,990 MHz	
In/ Out Impedance	50 Ω	
Handling Power (Max.)	CW 10 W	
Operating Temperature	-40 °C ~ +85 °C	
Dimensions	64.2 * 26 * 18 mm	Excluding Connectors
Connector	SMA (Male)	

## Outline drawing



## Typical Response

