



Waveguide S-band Water-Load

2425 ~ 2475 MHz**AWL245WR430**

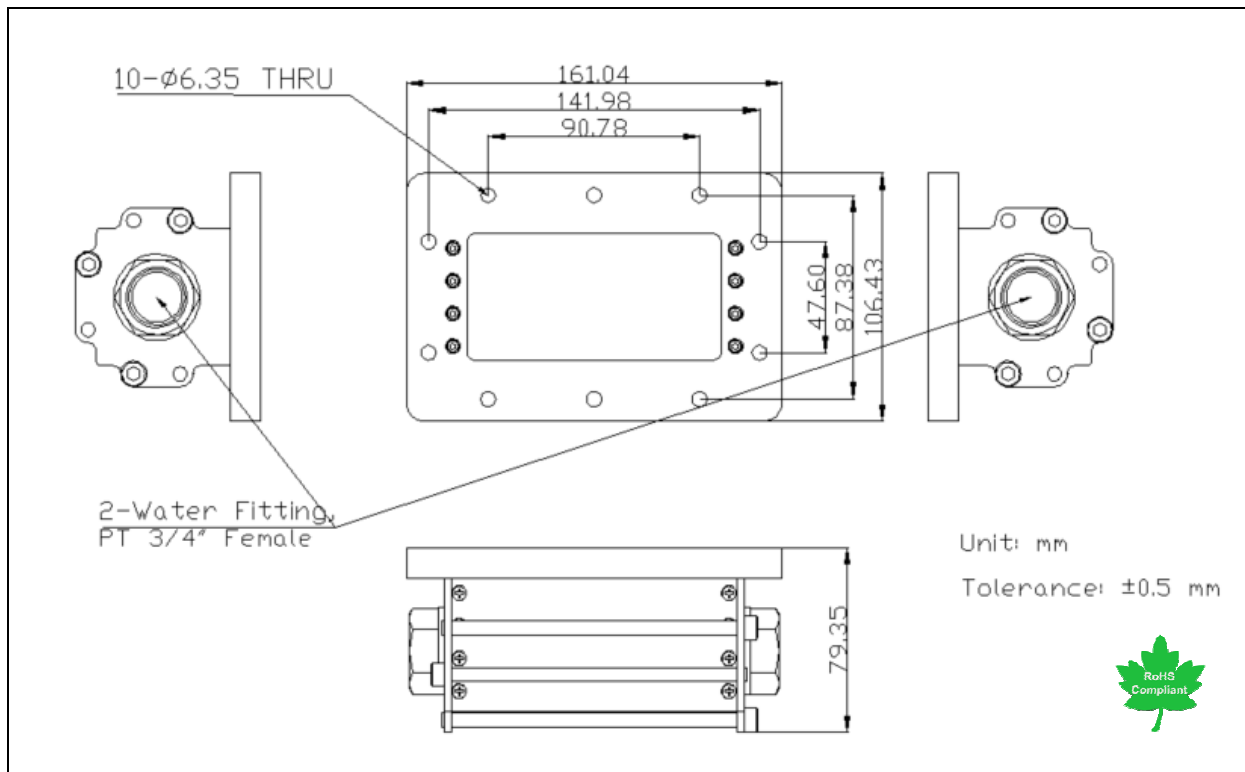
Features

- Reduction of the VSWR
- Robust design for shock and vibration
- RoHS Compliant

Electrical Characteristics

Parameter	Units	Specifications
Frequency	MHz	2425 ~ 2475
Return Loss	dB Min.	23
Temperature	°C	+10 ~ 40
Power	W Max.	30kW CW
Coupling	dB	-
Dimensions	mm	161.04 x 106.43 x 79.35

Mechanical Dimensions



If you do not find appropriate frequency range, please contact with sales@admotech.com