

Features

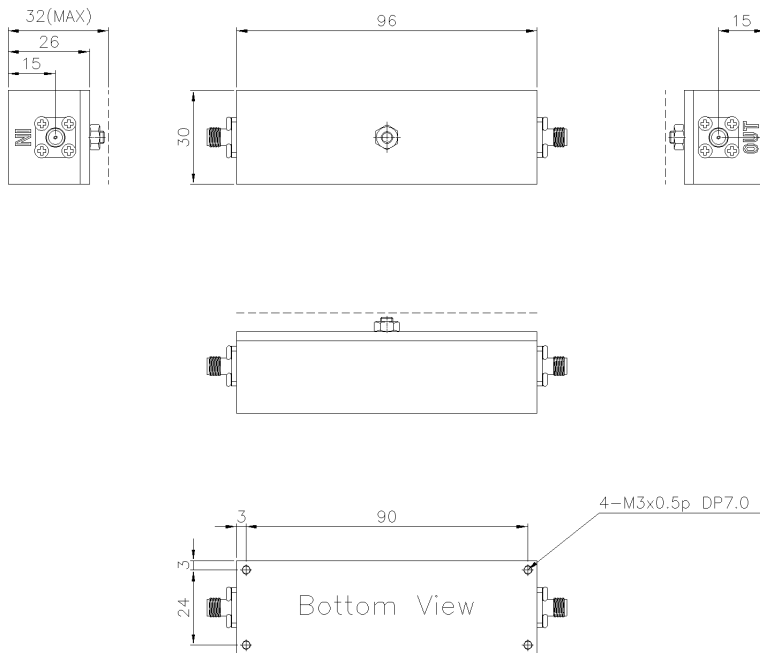
- Cavity Band Pass Filter (2,010 MHz ~ 2,025 MHz)
- Very compact size and low weight
- Typical 1.3 dB Insertion Loss



Specifications

Parameter	Specifications	Remarks
Frequency Range	2,010 ~ 2,025 MHz	BW : 15 MHz
Center Frequency	2,017.5 MHz	
Insertion Loss (Max.)	1.8 dB	
Pass Band Ripple (Max.)	0.7 dB	
Return Loss (Min.)	18.0 dB	
Rejection (Min.)	60 dB @ DC ~ 1,950 MHz	
	60 dB @ 2,085 ~ 6,000 MHz	
In/ Out Impedance	50 Ω	
Handling Power (Max.)	CW 100 W	
Operation Temperature Range	-20 °C ~ +80 °C	
Dimensions	30 * 96 * 32 mm	Exclude Connectors
Connector	SMA (Female)	

Outline drawing



Units : mm, Tolerance : +/- 0.2 mm

Typical Response

