

## Features

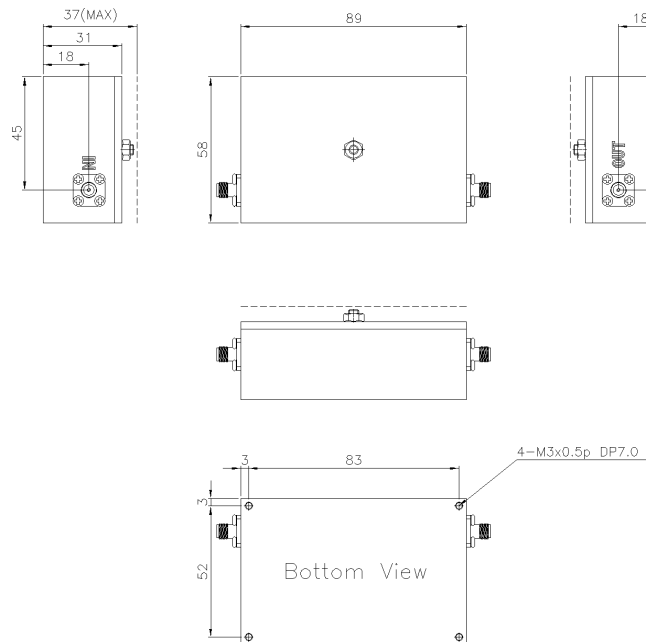
- Cavity Band Pass Filter (1,880 MHz ~ 1,920 MHz)
- Very compact size and low weight
- Typical 0.5 dB Insertion Loss



## Specifications

Parameter	Specifications	Remarks
Frequency Range	1,880 ~ 1,920 MHz	BW : 40 MHz
Center Frequency	1,900 MHz	
Insertion Loss (Max.)	0.7 dB	
Pass Band Ripple (Max.)	0.3 dB	
Return Loss (Min.)	18.0 dB	
Rejection (Min.)	60 dB @ DC ~ 1,820 MHz	
	60 dB @ 1,980 ~ 6,000 MHz	
In/ Out Impedance	50 Ω	
Handling Power (Max.)	CW 100 W	
Operation Temperature Range	-20 °C ~ +80 °C	
Dimensions	58 * 89 * 37 mm	Exclude Connectors
Connector	SMA (Female)	

## Outline drawing



Units : mm, Tolerance : +/- 0.2 mm

## Typical Response

