

Features

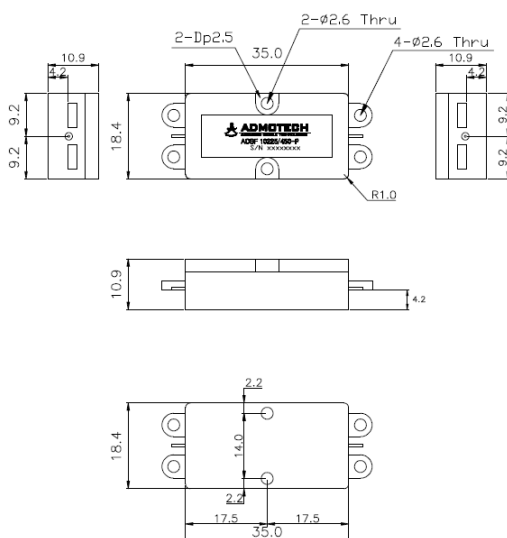
- Pin Type Cavity Band Pass Filter.
- Very compact size and low weight.
- Impedance matching between microstrip line and cavity guide pin with direct soldering.
- Typical 1.2 dB Insertion Loss



Specifications

Parameter	Specifications	Remarks
Frequency Range	10,000 ~ 10,450 MHz	BW : 450 MHz
Center Frequency	10,225 MHz	
Insertion Loss (Max.)	1.5 dB	
Pass Band Ripple	0.5 dB	
Return Loss (Min.)	15 dB	
Rejection (Min.)	52 dB @ 9,125 MHz	
	62 dB @ 11,325 MHz	
Handling Power (Max.)	CW 2 W	
Operating Temperature	-40°C ~ +85°C	
Dimensions	35 * 18.4 * 10.9 mm	Excluding Connectors
Connector	Pin Type	

Outline drawing



Typical Response

