



# DROP-IN Isolator 9500 ~ 10000 MHz

## ADI975DDT

### Features

- 19dB typical Isolation, 0.40dB typical Insertion Loss at room temperature.
- Custom products available with alternate configurations such as attenuators, high power terminations, reverse circulation etc.
- Designed for Wireless Telecommunications Systems.
- RoHS Compliant

### Options

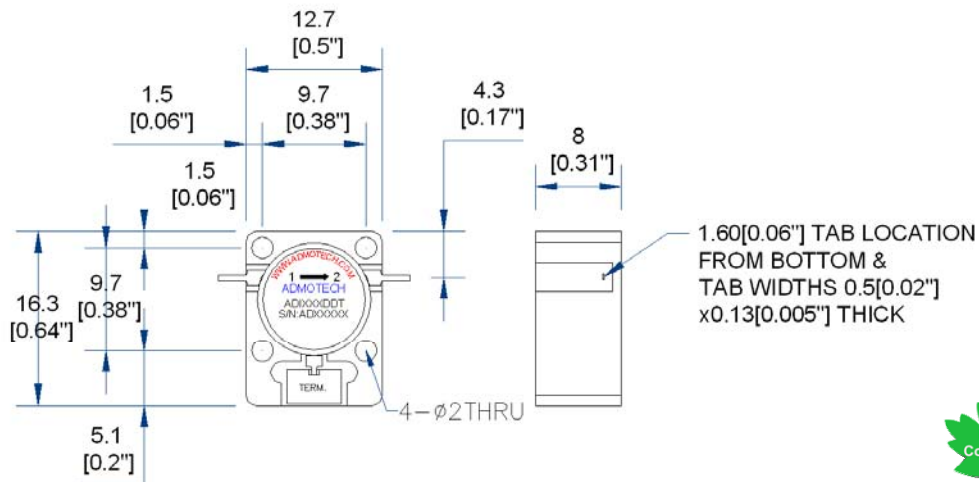
The customers can choose as follows

- Direction : Clockwise(Default) or Counter Clockwise.
- T : Termination

### Electrical Characteristics

Parameter	Units	Specifications
Frequency	MHz	9500 ~ 10000
Insertion Loss	dB Max.	0.60
Isolation	dB Min.	17
VSWR	Max.	1.38 : 1
Temperature	°C	- 20 ~ +85
FDW./REV. Power	W Max.	30/20
Input/Output Impedance	Ω	50

### Mechanical Dimensions



Package Size : DD

Unit: mm[inch]  
Tolerance: ±0.2mm

Option Type : T

Direction:Clockwise Default

If you do not find appropriate frequency range, Please contact with sales@admotech.com