



DROP-IN Isolator

9.0 ~ 10.0 GHz

ADI950UDT

Features

- Designed for Military, Radar, ECT
- RoHS Compliant

Options

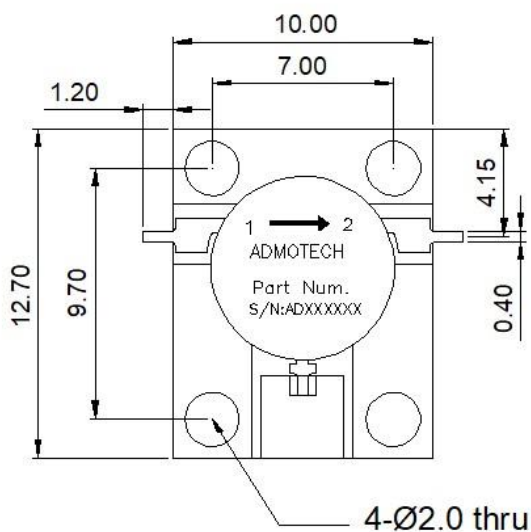
The customers can choose as follows

- Direction : Clockwise(Default) or Counter Clockwise.

Electrical Characteristics

Parameter	Units	Specifications
Frequency	GHz	9.0 ~ 10.0
Insertion Loss	dB Max.	0.60
Isolation	dB Min.	17
VSWR	Max.	1.4 : 1
Temperature	°C	- 30 ~ +85
Power(FWD/REV)	CW Max.	50/20
Pulsed Power(FWD)	W Max.	100
Direction		Clockwise
Input/Output Impedance	Ω	50

Mechanical Dimensions

4- \varnothing 2.0 thruunit:mm
Tolerance: ± 0.2 mm

If you do not find appropriate frequency range, Please contact with sales@admotech.com