



# Coaxial SMA Type Isolator 1200 ~ 1400 MHz

## ADI130CSPH

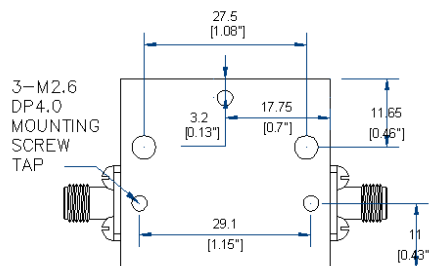
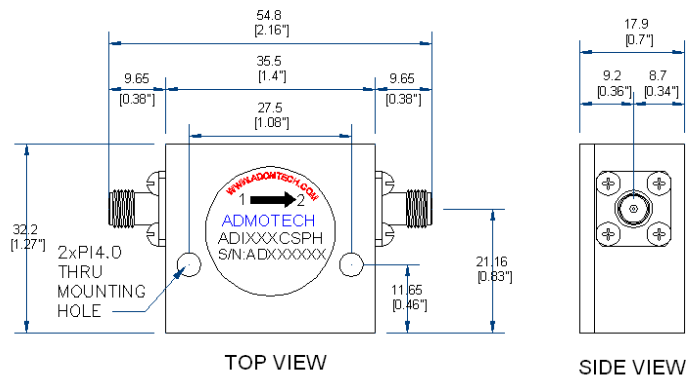
### Features

- 16dB typical Isolation, 0.45dB typical Insertion Loss at room temperature.
- Custom products available with alternate configurations such as attenuators, high power terminations, reverse circulation etc.
- Designed for Wireless Telecommunications Systems.
- RoHS Compliant

### Electrical Characteristics

Parameter	Units	Specifications
Frequency	MHz	1200 ~ 1400
Insertion Loss	dB Max.	0.65
Isolation	dB Min.	14
VSWR	Max.	1.50 : 1
Temperature	°C	- 30 ~ +85
FDW./REV. Power	W Max.	150/100
Input/Output Impedance	Ω	50

### Mechanical Dimensions



Unit:mm[inch]  
Tolerance : ±0.2mm



If you do not find appropriate frequency range, Please contact with sales@admotech.com