



# DROP-IN Isolator 390 ~ 430 MHz

## ADI041GDT

### Features

- 18dB typical Isolation, 0.35dB typical Insertion Loss at room temperature.
- Custom products available with alternate configurations such as attenuators, high power terminations, reverse circulation etc.
- Designed for Wireless Telecommunications Systems.
- RoHS Compliant

### Options

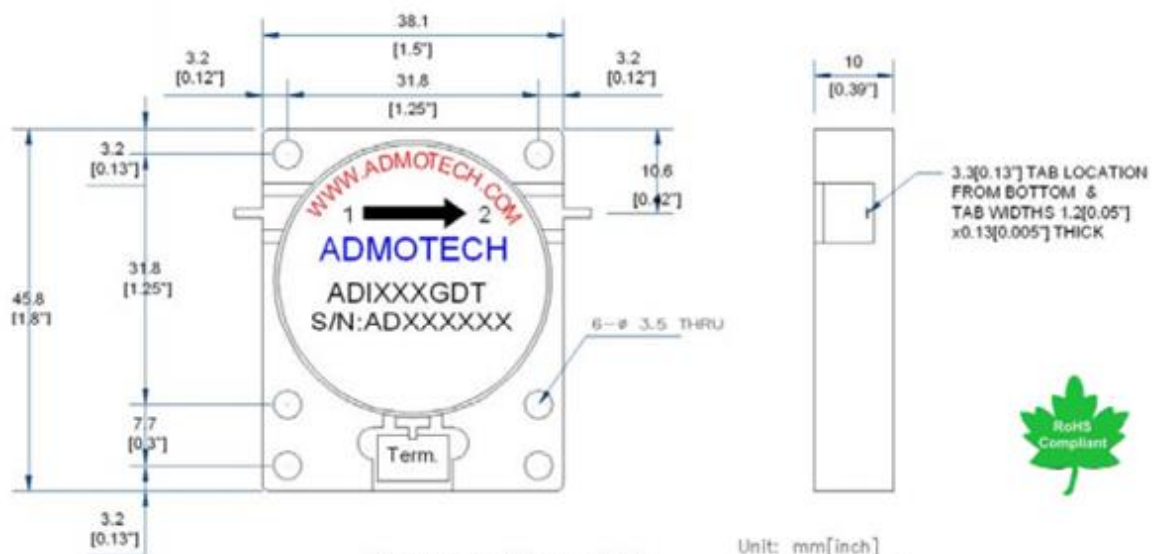
The customers can choose as follows

- Direction : Clockwise(Default) or Counter Clockwise.
- T : Termination, A3 : -30dB Attenuator for detection, A2 : -20dB Attenuator for detection

### Electrical Characteristics

Parameter	Units	Specifications
Frequency	MHz	390 ~ 430
Insertion Loss	dB Max.	0.50
Isolation	dB Min.	16
VSWR	Max.	1.38 : 1
Temperature	°C	- 20 ~ +80
REV Power	W Max.	150/150
Input/Output Impedance	$\Omega$	50

### Mechanical Dimensions



Package Size : GD  
Option Type : T  
Direction:Clockwise Default

Unit: mm[inch]  
Tolerance: ±0.2mm

If you do not find appropriate frequency range, Please contact with sales@admotech.com