



# WR90 Waveguide Load

## 8.2~12.4 GHz

**ADLWR90**

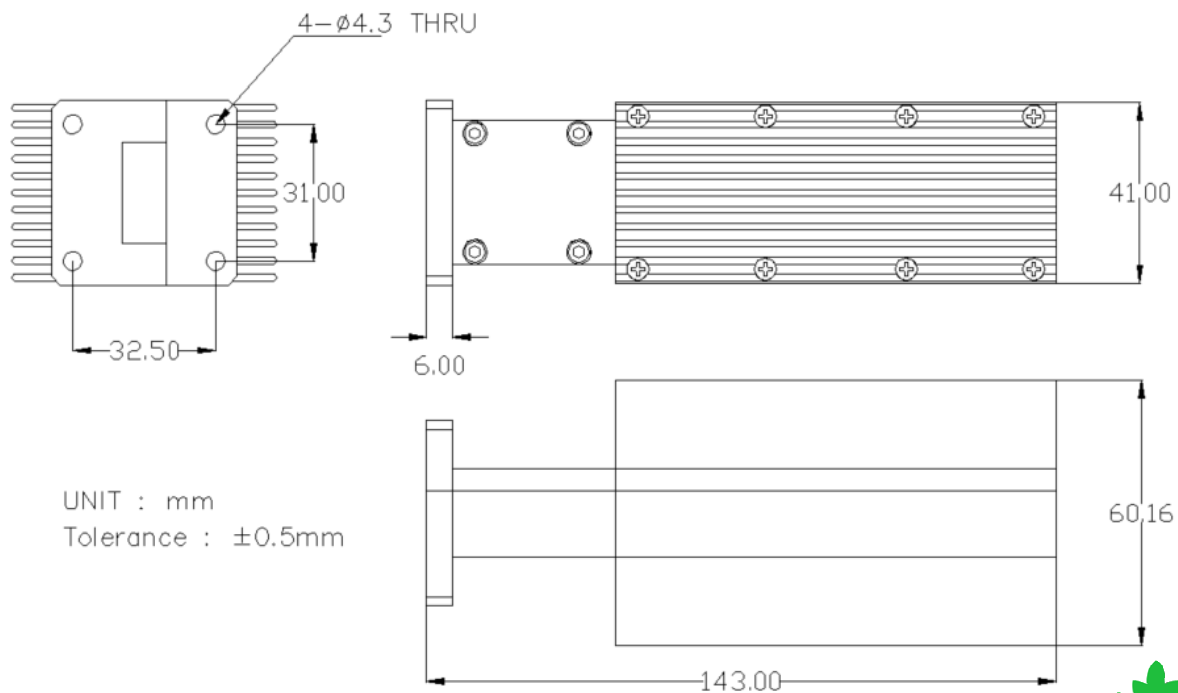
### Features

- Low VSWR, High power
- Robust design for shock and vibration
- RoHS Compliant

### Electrical Characteristics

Parameter	Units	Specifications
Frequency	GHz	8.2~12.4
VSWR	Max.	1.2 : 1
POWER	W	200W CW
Material	-	Aluminum
Plating	-	Chromate
Waveguide type	-	WR90
Flange type	-	CPRF

### Mechanical Dimensions

**If you do not find appropriate frequency range, please contact with [sales@admotech.com](mailto:sales@admotech.com)**