

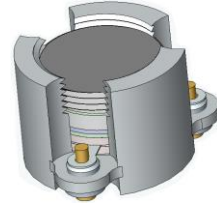


ADMOTEC 2.6GHz SMD CIRCULATOR

2595 ~ 2645 MHz**ADS262SD-H**

Features

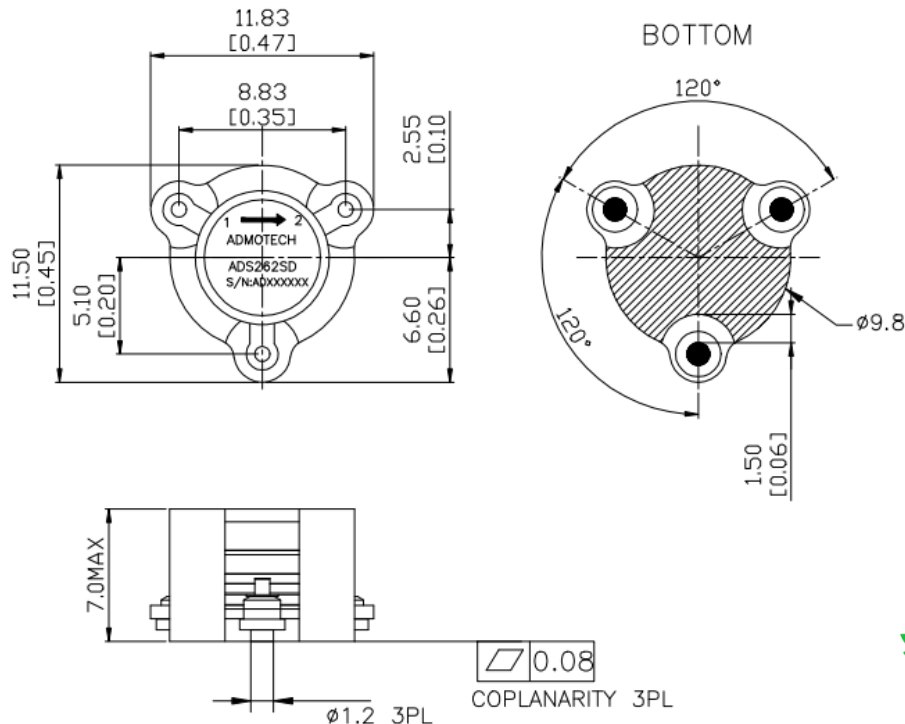
- | | |
|---------------------------|------------------------------|
| - Low Insertion | - Robust Design |
| - Custom Design Available | - Standard Reflow Processing |
| - RoHS Compliant | - Tape and Reel |



Electrical Characteristics

Parameter	Units	Specifications
Frequency	MHz	2595 ~ 2645
Insertion Loss	dB Max.	0.25
Return Loss	dB Min.	20
Isolation	dB Min.	20
Temperature	°C	-40 ~ +125
Power FWD / REV.	W Max.	30/30
PIMD (5W 2TONE)	dBc	65
Input/Output Impedance	Ω	50

Mechanical Dimensions



If you do not find appropriate frequency range, please contact with sales@admotech.com