

**ADMOTEC**

Advanced Mobile Technology

1320,Gwanpyoung-dong, Yoosung-Gu, Taejon, 305-509, Korea

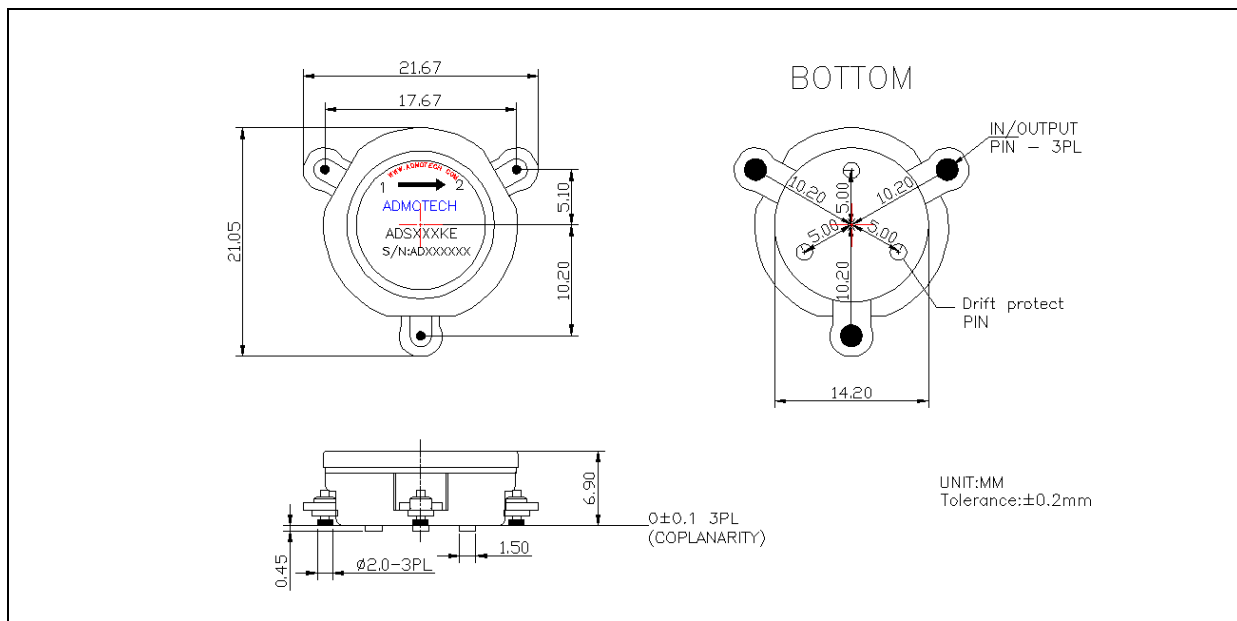
Tel :+82-42-936-1353 Fax :+82-42-936-1350

**ADMOTEC 0.75INCH SMD CIRULATOR  
2300~2400MHz****ADS235KE(100)****Features**

- Low Insertion Loss
- Custom Design Available
- ROHS Compliant
- High Isolation
- Standard Reflow Processing
- Lead Free

**Electrical Characteristics**

Parameter	Units	Specifications
Frequency	MHz	2300 ~2400
Insertion Loss	dB Max.	0.30dB
Return Loss	dB Min.	19dB
Isolation	dB Min.	20dB
Temperature	°C	- 30 ~+85
Power FWD / REV.	W Max.	100/100
Input/Output Impedance	Ω	50
Direction		CW

**Mechanical Specifications****If you do not find appropriate frequency range, please contact with [sales@admotech.com](mailto:sales@admotech.com)**