



SMD Circulator 2630 ~ 2670 MHz

ADS265LE

Features

- 21dB typical Isolation, 0.35dB typical Insertion Loss at room temperature.
- Designed for Wireless Telecommunications Systems.
- RoHS Compliant

Options

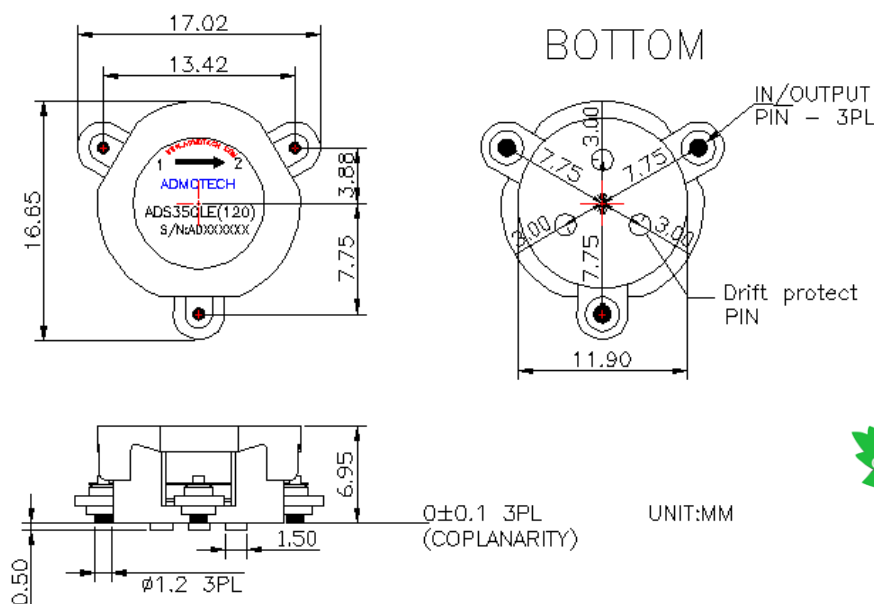
The customers can choose as follows

- Direction : Clockwise(Default) or Counter Clockwise.

Electrical Characteristics

Parameter	Units	Specifications
Frequency	MHz	2630 ~ 2670
Insertion Loss	dB Max.	0.4
Isolation	dB Min.	20
VSWR	Max.	1.25 : 1
Temperature	°C	- 30 ~ +85
Power	W Max.	100
Input/Output Impedance	Ω	50

Mechanical Dimensions



If you do not find appropriate frequency range, Please contact with sales@admotech.com