



Coaxial SMA Type Circulator

8.0 ~ 18.0 GHz

ADC8018CSIH

Features

- Wide band characteristic.
- Robust design for shock and vibration.
- RoHS Compliant

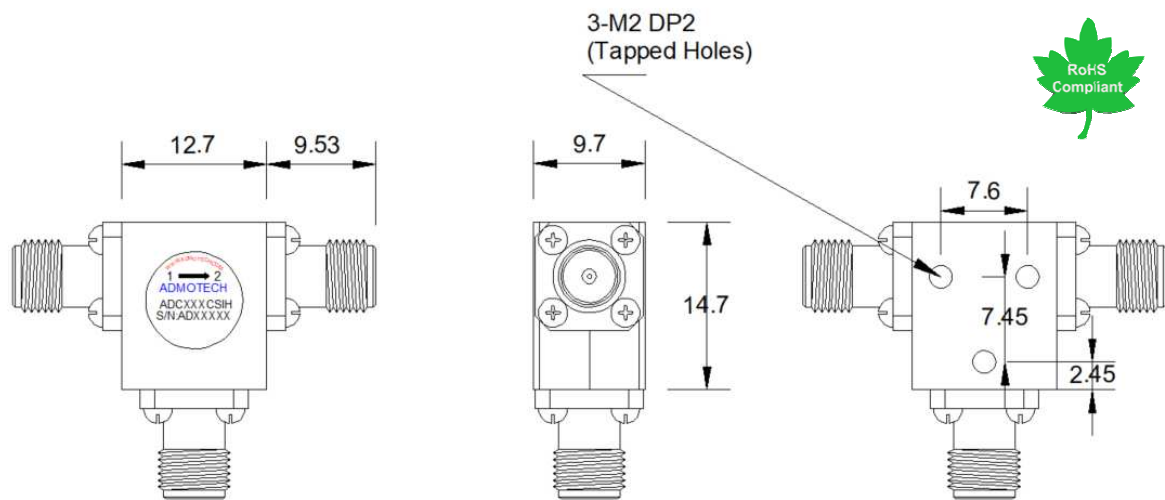
Options

- The customers can choose as follows
- Direction : Clockwise(Default) or Counter Clockwise.

Electrical Characteristics

Parameter	Units	Specifications
Frequency	GHz	8.0 ~ 18.0
Insertion Loss	dB Max.	0.8
Isolation	dB Min.	16
VSWR	Max.	1.4 : 1
Temperature	°C	-30 ~ 85
FWD. Power	W Max.	5
Input/Output Impedance	Ω	50

Mechanical Dimensions



unit: mm
Tolerance: ± 0.2

If you do not find appropriate frequency range, please contact with sales@admotech.com